



7770 Ceroni Rd Cherry Valley, Illinois 61016 (815)332-7777, fax 7775

Capron Elementary School

200 N Wooster St.
Capron, IL 61012

December 8, 2020

Reference: Steam heater and Uni-vent replacements

Attention: Mr. Dean Schultz

Dean,

Ceroni Piping Company would like to thank you for the opportunity of submitting a proposal on the above referenced project. The following scope of work is our interpretation of responsibility to this project. Please contact the undersigned with any questions of further clarifications required.

Base Work Steam Heater Replacements:

- Supply and install 2 new unit heaters will be 250,000 btu each (see attached cut sheets)
- Disconnect the existing power wiring save for reuse
- Remove existing duct work save for reuse
- Unit will be hung from in same location as the old heaters were installed
- Supply and install new steam traps for heaters using old piping connection
- Supply and install any necessary steam and condensate piping
- Reconnect existing duct work
- Power and controls wiring will be completed by others
- Supply and install 2 new room mounted thermostats
- Do complete start up on 2 heaters

Total Price Gym: \$13,211.00 (Thirteen thousand two hundred eleven dollars)

Base Work Classroom Unit Ventilators:

- Shut down and remove the existing unit ventilators
- Electric will be unhooked by Ceroni piping
- Supply and Install Trane wall mount steam unit ventilators
- New units will be equipped with economizers/outdoor air
- Supply and install the steam return and supply piping, fittings and valves needed to complete install
- Supply and install new steam traps and Y strainers
- New units will have standalone Trane controls
- Do complete start up on system

Total Price 1-8 U-Ventilators: \$46,777.00 (Forty-six thousand seven hundred seventy-seven dollars) *\$5,847.12 ea. for 8 units*

Total Price 1-18 U-Ventilators: \$101,785.00 (One hundred and one thousand seven hundred eighty-five dollars) *# 5,654.72*

Option #1 for Condensing Units

- Supply and install DX condensing units
- Supply and install liquid line dryers
- Pull a vacuum on refrigeration system
- Charge system per factory specks
- Power wiring by others
- Do complete start up on system

Add for option #1: \$4,673 per unit for A/C

(+ WIRING)
\$10,327.72

Ceroni Piping Company

Assumptions & Clarifications:

- Unit will come with 1-year factory warranty parts and labor for both options
- Power and controls wiring will be completed by others with direction from Ceroni Piping
- Quote is good for 30 days.
- There is a 5% Unit ventilator discount for quantity purchase of 18 units included in total price.

Items not included:

- Connections to any other equipment not identified.
- Overtime or premium time, bonds of any kind
- Temp heat/cooling
- Power and control wiring
- Asbestos abatement by others
- Building automation integration
- Rework of existing millwork to accommodate 3" larger Unit Ventilators.

We appreciate the opportunity to work w/ you on the above referenced project. If you have any questions or concerns, please give me a call.

Sincerely,
CERONI PIPING COMPANY

Ben Henry



Wayne Blocker / President
27 Airport Dr. Rockford, IL 61109
O:815-494-9090 C:815-494-5206
WBlocker@geostarinc.com
www.geostarinc.com

December 14th, 2020

NBCUSD-Capron Elementary School
Dean
200 N. Wooster
Capron, IL. 61012

BID PROPOSAL: Replacement of classroom cabinet heaters.

Scope of Work: Installation of classroom cabinet unit heater with steam and Dx.

Cabinet Unit Heater \$9,550.00 ea.

- Steam Coil
- Dx Coil
- Outside air Damper
- Beige side panels and cover
- Thermostat

Description of Work: Bid proposal entails the removal and disposal of the existing cabinet unit heater and installation of a new replacement unit. Pricing is provided on a per unit basis. Pricing includes all related labor and material for piping, electrical, and installation of cabinet.

Not Included: Any additional work or material required outside of the above scope or in addition to get the system to the proper operation.

Schedule: Work is to be performed during standard hours of operation Monday – Friday.

Warranty: Standard manufacturer's warranty on parts / 1-year craftsmanship warranty on labor

Contact Name: _____ Phone: _____

Acceptance Signature: _____ Date: _____

Purchase Order: _____

Geostar Mechanical
HVAC – Boilers – Plumbing – Refrigeration – Backflow Preventers – Food Service Equipment

General Conditions- The following conditions shall be considered as part of this contract.

1. Seller guarantees the equipment and workmanship of the apparatus furnished under this contract and will replace or repair any defects, not due to ordinary wear and tear, or due to improper use or maintenance, which may develop within one year from the date of completion. Seller further agrees to replace any refrigerant lost during that period, caused by defects in the installation, and not due to improper use or maintenance.
2. In no event shall the seller be liable for consequential damages.
3. On the delivery of the equipment by seller, or any part thereof, to the premises of the buyer, buyer shall assume risk of loss or damage to such equipment and shall cause same to be insured in all aspects against loss or damage in an amount to protect the interest of the seller. Cost of insurance is to be paid by the buyer.
4. Unless otherwise agreed work shall be performed during regular business hours. If overtime is mutually agreed upon and performed, the additional price, at the seller's usual rates, shall be added to the contract.
5. Buyer shall provide the seller's workman a safe place in which to work, and the seller shall have the right to discontinue work when, in the seller's opinion, this clause is being violated. Seller shall not be liable for any delay, loss, or damage caused by such delay.
6. Buyer shall be responsible for structural ability of the premises to contain the equipment in the manner and location specified in the contract or shown on the drawings, and the seller shall not be liable for any failure of premises due to such structural deficiency.
7. In the event that material incorporated in this contract is for delivery and installation, and buyer is unable to receive same, Seller shall have the right to bill buyer for the amount of the material in accordance with the terms of the contract and also to provide suitable storage and insurance at the buyer's expense.
8. Seller shall not be held responsible or liable for any loss, damage detention, or delay caused by acts of God, strikes, lockouts, or by any other cause which is unavoidable or beyond the seller's control.
9. Title to the equipment remains in the seller until payment of the entire purchase price and all sums due the seller under this contract are fully made. All equipment, whether affixed to the realty or not, shall remain personal property and be deemed serviceable without injury to the free hold. In the event of default of payment or any installment or failure to perform any terms or conditions of their contract or in the event that a proceeding bankruptcy or insolvency be instituted by or against the buyer, or if equipment is misused, illegally used or imperiled, then at seller's option the entire unpaid balance shall become immediately due and payable without notice or demand and in such case seller may resell the equipment or any part thereof at either private or public sale.
10. Should the seller be delayed by reason of any default on the part of the buyer of the terms and conditions of this contract, the entire contract price, less payment theretofore made, shall become due, and shall bear interest at the full legal rate from the date of billing.
11. If buyer claims that the plan does not fulfill the terms and conditions of the contract. He shall notify seller in writing this effect, specifying in what particular it fails. A responsible length of time shall then be allowed to remedy any defect or deficiencies that may exist, or to demonstrate to buyer the capacity of the plan to fulfill the terms and conditions.
12. Buyer shall keep the equipment free of taxes and encumbrances, shall not remove said equipment from the premises without written permission of seller, and shall not transfer an interest in said equipment or in this contract without written consent of seller until all payments due hereunder have been made.
13. Neither buyer nor seller shall not assign this contract or any rights thereunder without the other party's written consent.
14. Seller's scope of work shall not include the identification, detection, abatement, encapsulation, or removal of asbestos, or product or materials containing asbestos or similar hazardous substances. In the event that contractor encounters any such products or materials in the course of performing its work, seller shall discontinue its work and remove its employee's from the project until such products or materials and any hazards connected there within are abated, encapsulated or removed, or it is determined that no hazard exist (as the case may require), and the contractor shall receive an extension of time to complete its work hereunder and compensation for delays encountered as a result of such situation and correction of same.

Geostar Mechanical

HVAC – Boilers – Plumbing – Refrigeration – Backflow Preventers – Food Service Equipment



TEMPERATURE EQUIPMENT CORP.
17725 Volbrecht Road
LANSING, IL 60438-4542
(P) (708) 418-7586

Proposal

Project Name: North Boone School District
Location: POPLAR GROVE, IL 61065
Customer: Comfort Solutions Heating & AC
Attention: Keith

Bid Date: 12/08/2020
Expiration Date: 01/07/2021
Proposal Number: 1220DMOO438
Revision Number: 0

LADIES & GENTLEMEN: We propose to furnish the equipment listed below at prices stated and in accordance with the terms, price and conditions that are attached to and are a part of this quotation.

STEAM HEATING ONLY

Mark For	Qty.	Model Number	Description	Total Sell
UV xCLG	1	MAUVF411BBB213A0J1P4 BAAAB4H	MAGICAIRE STM VERT UV	[REDACTED]
UV xCLG (Lot 10+)	10	MAUVF411BBB213A0J1P4 BAAAB4H	MAGICAIRE STM VERT UV	[REDACTED]

Field	Code	Description
Unit Type	MAUVF	MAUV (Integral Drive, Vertical, Generation: F)
Unit Size	4	1250 CFM Floor Mounted Unit Ventilator
Paint Scheme	1	Polar Ice Top and Front Panels
Front Access Panel Gauge	1	Standard 16 Gauge Metal Front Panels
Depth and End Panels	B	1" x 16-5/8" x 30" Solid End Panels
Inlet Air Arrangement	B	Front Return Air, 16-5/8" Deep Unit, Outdoor Air with Rear Opening, Closed Pipe Tunnel
Discharge Air Arrangement	B	Top Barstock Grill with Screens
Motor Type	2	ECM - High Efficiency Motor
Face And Bypass Option	1	No Face and Bypass Damper Provided (Valve Controlled Unit)
Outdoor Air Damper Option	3	Cold Weather Damper Assembly
Temperature Control Option	A	No Controls, Field Supplied and Installed Controls
Occupied/unoccupied Control Option	0	No Occupancy Requirement
Main Power Voltage Option	J	115V Single Phase Electrical
Coil Arrangement Option	1	Pre-Heat
Heating Coil	P	2 Row Steam Left Hand Connections
Heating Valve/actuator Option	4	Steam 2-Way Modulating Valve and Actuator (4.0 Cv) - Floating Point
Heating Valve Package Piping	B	2-Way Valve Package #1 (includes
Cooling Coil	A	No Cooling Coil Requirement
Cooling Valve/actuator Option	A	No Cooling Valve
Cooling Valve Package Piping	A	No Cooling Valve Package Requirement
Condensate Drain Pan Type	B	IAQ Drain Pan - Stainless Steel
Air Filter Option	4	2" Pleated Filter (MERV 8)
Warranty Option	H	1-Year Parts Only Warranty (incl. factory controls)

\$ 11,000 per unit
No A/C

Qty: 1 Tag: UV xCLG Model Code: MAUVF411BBB213A0J1P4BAAAB4H

Configuration: Heating Only Airflow (ACFM): 1235

ESP: 0.150

Watts: 0.000

20200930

Rows	FV (fpm)	EDB (F)	TLD (Btu/Hr)	LDB (F)	Steam (lbs)
------	----------	---------	--------------	---------	-------------

Heating: 2 55.00 150600 150.80 5.00

Electrical Data			Motor		EH	EH	Unit	Unit	Unit
Voltage	Ph	Freq	HP	FLA	Cap (kW)	FLA	FLA	MCA	MOPD
120	1	60	1/2	4.7	0		4.700	5.9	15

Features and Benefits	3	Horizontal Unit Ducted Application.....	26
Options and Accessories	5	Valve Piping Typical for Factory Installation	28
Nomenclature.....	6	Piping Details and Dimensions	29
Selection Procedure - Unit Size and Capacity.....	10	Electric Data	36
Quick Selection Charts - Unit Size and Capacity....	13	Performance Data.....	41
MAUVF Dimensions.....	14	Control Package Options.....	76
Inlet Air Arrangements.....	16	Accessory Options	78
End Panel Options.....	18	Equipment Specifications.....	79
Typical Applications - Vertical Units.....	19		
MAUHF Dimensions.....	20		
Typical Applications - Horizontal Units.....	25		

Physical Data					
Unit	MAUV	MAUV	MAUV	MAUV	MAUV
Nominal Airflow	500	750	1000	1250	1500
Fans					
Quantity	1	2	3	4	5
Diameter (in.) x Width (in.)	8.32 x 8	8.32 x 8	8.32 x 8	8.32 x 8	8.32 x 8
Filters					
Nominal Size (in.) (1 in.)	9.25" x 24.25"	9.25" x 36.25"	9.25" x 48.25"	9.25" x 60.25"	9.25" x 72.25"
Nominal Size (in.) (2 in.)	9.25" x 24.25"	9.25" x 36.25"	9.25" x 48.25"	9.25" x 60.25"	9.25" x 72.25"
Quantity	1	1	1	1	1

Physical Data					
Unit	MAUH	MAUH	MAUH	MAUH	MAUH
Nominal Airflow	750	1000	1250	1500	2000
Fans					
Quantity	2	3	4	5	5
Diameter (in.) x Width (in.)	8.32 x 8	8.32 x 8	8.32 x 8	8.32 x 8	9.5 x 6
Filters					
Nominal Size (in.) (1 in.)	9.75" x 36.25"	9.75" x 48.25"	9.75" x 60.25"	9.75" x 72.25"	9.75" x 72.25"
Nominal Size (in.) (2 in.)	9.75" x 36.25"	9.75" x 48.25"	9.75" x 60.25"	9.75" x 72.25"	9.75" x 72.25"
Quantity	1	1	1	1	1

Unit Performance - Quick Selections

Nominal Capacity		500	750	1000	1250	1500	2000
		CFM	CFM	CFM	CFM	CFM	CFM
Cooling (BTUH)	3 Row	8765	19105	27176	33245	40148	52237
	4 Row	10439	22405	32764	37970	48396	65810
	5 Row	12165	25119	35731	43118	52614	-
	5 Row Hi Capacity	14841	29173	42105	50418	61375	72550
	1Row	12259	23308	30085	37083	44501	52059
Hot Water Heating (BTUH)	2Row	19395	35838	47346	58489	69479	97228
	3 Row	21012	43332	58892	70866	84538	108733
	4 Row	27535	49913	66781	78736	95516	130154
	5 Row	30046	54407	71116	85571	101348	-
	5 Row Hi Capacity	36301	61623	82644	98923	116809	138286
Steam Heat- ing (BTUH)	1 Row	45300	60200	80200	100300	120500	140800
	2 Row	64000	97000	129100	161500	193700	227900
Electric Heat (BTUH)	Low	14330	20470	27300	34120	40940	40940
	High	28660	40940	54590	68240	81890	81890

Cooling capacity: 80°F/67°F EAT; 45°F EWT; 10°F water temperature rise

Hot Water heating capacity: 60°EAT; 160°F EWT; 6 GPM

Steam heating capacity: 0°EAT; 2 PSI steam at 218.5°F.

Electric Heat data is based on 3 elements for Low and 6 elements for High.

See software for 2, 4, and 5 electric heat element options and BTUH.

For conditions beyond the scope of the catalog quick selections procedure, refer to magic Aircs computer selection program for chilled water, hot water, and steam coils.

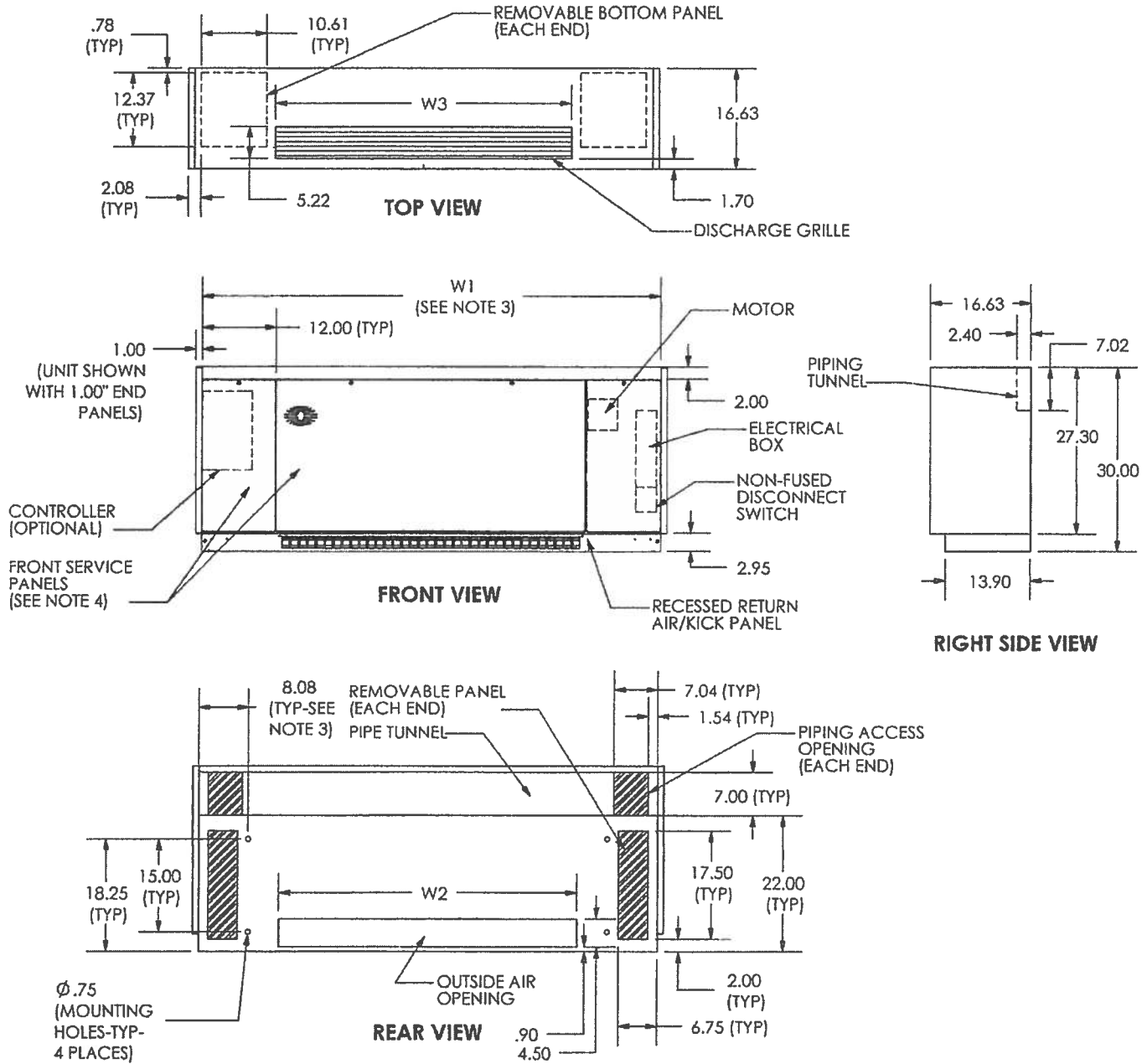
Magic Aire

**Magic Aire Unit Ventilator
Model MAUVF**

**Certified Drawing
101-1B**

**Inlet Air Arrangements
16 5/8" Deep Unit**

THIS DOCUMENT IS THE PROPERTY OF UNITED ELECTRIC CORPORATION AND IS SUBMITTED ON THE EXPRESS CONDITION THAT THE CONTENTS WILL NOT BE DISCLOSED OR USED WITHOUT EXPRESS WRITTEN CONSENT. SUBMISSION OF THESE DRAWINGS OR DOCUMENTS DOES NOT CONSTITUTE PART PERFORMANCE OR ACCEPTANCE OF CONTRACT.

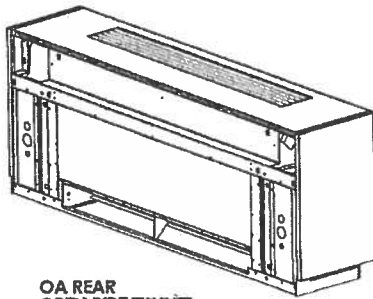


MODEL NO.	CFM	W1	W2	W3	Approx. Installed Weight (LBS)
MAUVF1	500	50	24	16.6	315
MAUVF2	750	62	36	31.67	380
MAUVF3	1000	74	48	46.74	460
MAUVF4	1250	86	60	61.81	570
MAUVF5	1500	98	72	78.47	640

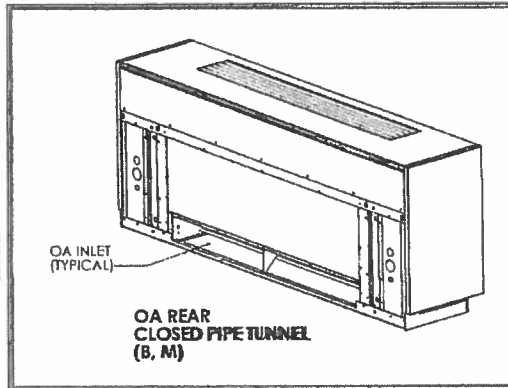
NOTE:

1. Drawing refers to Design "F" units.
2. All dimensions in inches.
3. Dimension does not include end panels.
4. Three front panels provided for service access.
5. Motor and electrical power input box on right side of unit. Box includes Fan Speed Switch, On/Off Switch and non-fused disconnect switch.

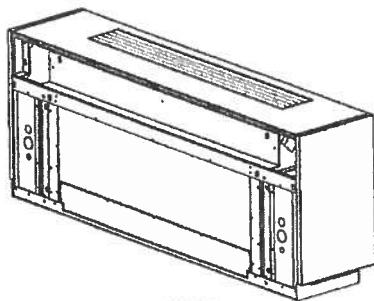
Product Information is Subject to Change Without Notice



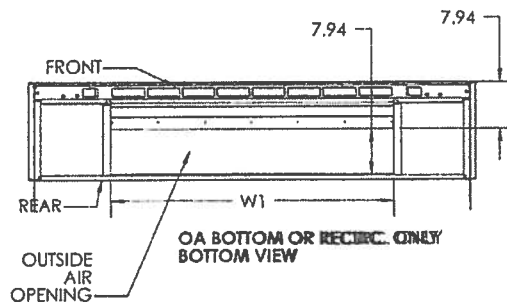
OA REAR OPEN PIPE TUNNEL (A, L)



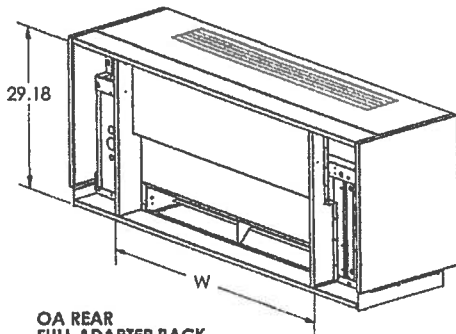
OA REAR CLOSED PIPE TUNNEL (B, M)



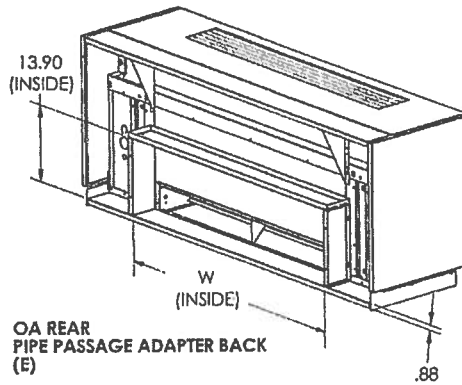
OA BOTTOM OR RECIRC. ONLY (C, D, N, O)



OA BOTTOM OR RECIRC. ONLY BOTTOM VIEW

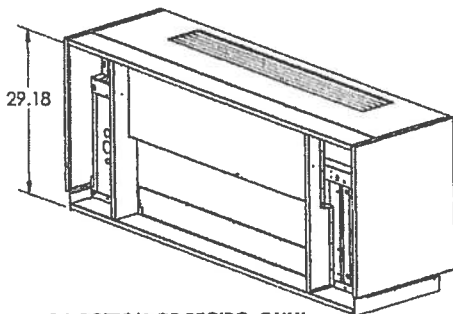


OA REAR FULL ADAPTER BACK (F, R)

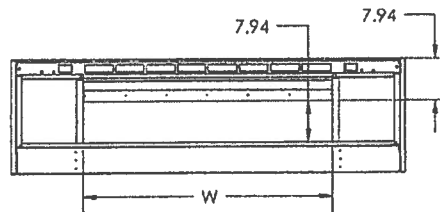


OA REAR PIPE PASSAGE ADAPTER BACK (E)

Model No.	CFM	W
MAUVF1	500	26
MAUVF2	750	38
MAUVF3	1000	50
MAUVF4	1250	62
MAUVF5	1500	74



OA BOTTOM OR RECIRC. ONLY FULL ADAPTER BACK (H, I, T, U)



OA BOTTOM OR RECIRC. ONLY FULL ADAPTER BACK BOTTOM VIEW